

FAG

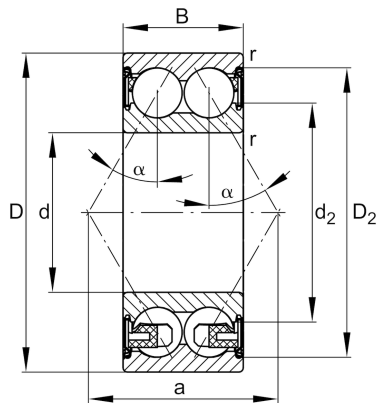
**3304-BD-XL-2Z-TVH**

Angular contact ball bearing

Schaeffler ID:  
0641342530000Angular contact ball bearing 33..-BD-  
XL-2Z-TVH, double row, X-life, shields,  
plastic cage

X-life

## Technical information

**Main Dimensions & Performance Data**

|          |              |                                   |
|----------|--------------|-----------------------------------|
| d        | 20 mm        | Bore diameter                     |
| D        | 52 mm        | Outside diameter                  |
| B        | 22.2 mm      | Width                             |
| $C_r$    | 24,600 N     | Basic dynamic load rating, radial |
| $C_{0r}$ | 15,900 N     | Basic static load rating, radial  |
| $C_{ur}$ | 1,100 N      | Fatigue load limit, radial        |
| $n_G$    | 11,000 1/min | Limiting speed                    |
| $n_{gr}$ | 10,400 1/min | Reference speed                   |
|          | 0.217 kg     | Weight                            |

**Mounting dimensions**

|              |       |                                      |
|--------------|-------|--------------------------------------|
| $d_{a \min}$ | 27 mm | Minimum diameter shaft shoulder      |
| $D_{a \max}$ | 45 mm | Maximum diameter of housing shoulder |
| $r_{a \max}$ | 1 mm  | Maximum fillet radius                |

**Dimensions**

|            |         |   |
|------------|---------|---|
| $r_{\min}$ | 1.1 mm  | Minimum chamfer dimension                         |
| $D_2$      | 46.1 mm | Caliber diameter outer ring                       |
| $d_2$      | 31.9 mm | Caliber diameter inner ring                       |
| a          | 30.4 mm | Distance between the apexes of the pressure cones |
| $\alpha$   | 30 °    | Contact angle                                     |

**Temperature range**

|            |        |                            |
|------------|--------|----------------------------|
| $T_{\min}$ | -20 °C | Operating temperature min. |
| $T_{\max}$ | 120 °C | Operating temperature max. |